



RULES WORKSHOP

Psychologists

Presenters

Nancy Delgado (DOH)

Program Manager

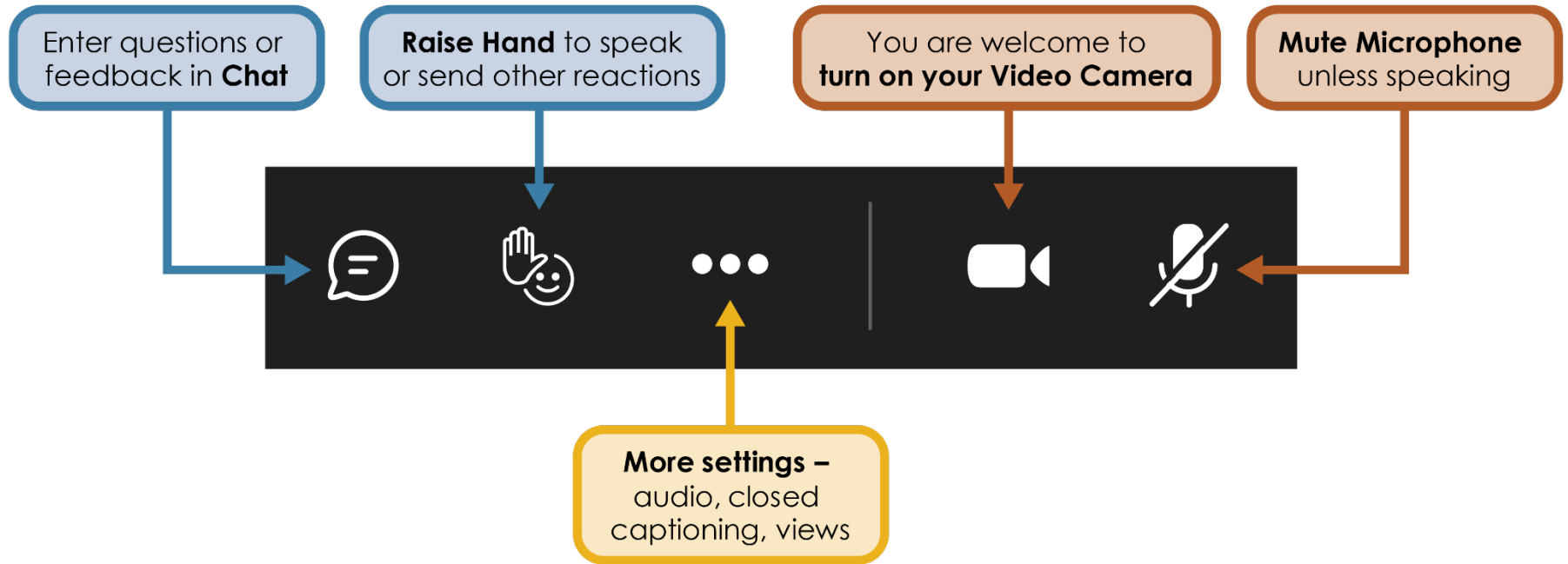
Kalon Robinson-Goodman (DOH)

Program Manager

Melody Casiano (DOH)

Policy Analyst

MS Teams Features We Will Use Today



Tips

- Try to be present
- State your name before speaking
- Speak clearly

Communication Avenues

- DOH Program Staff: psychology@doh.wa.gov
 - Send public comments by July 1, 2024
- Sign up for [GovDelivery](#) for updates
- Check our [website](#)



WORKSHOP OVERVIEW

Agenda

1. Rulemaking Process Overview
2. Overview of Boards rulemaking history
3. Future Workshops
4. Review Supervised Experience draft language



RULES OVERVIEW

What is a Rule?

Rule: a regulation that helps give clarity if the underlying statute is broad or unclear

An enforceable directive that:

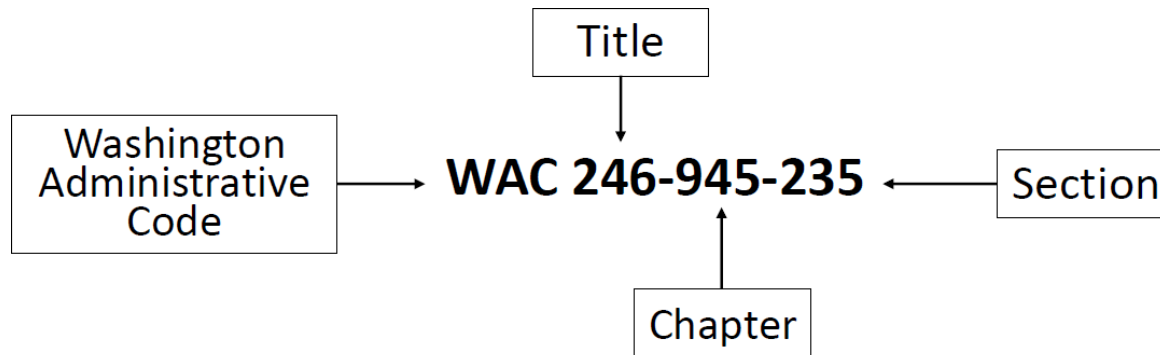
- Subjects a person to a penalty or sanction if that person violates a regulation
- Sets qualifications for conveying privileges to people or entities
- Sets procedures or practices for agency hearings
- Licenses or permits individuals or entities and revokes licenses or permits
- Sets product or material standards for goods before they can be sold or distributed in Washington

Laws vs. Rules

Laws	Rules
Revised Code of Washington (RCW)	Washington Administrative Code (WAC)
Enacted by the Legislature and signed by the Governor	Rules must fit with the specific statutory authority
Serve as statutory authority or permission for our rules and activities	Used to implement laws and policies
Chapter 34.05 RCW is the law that tells agencies the process it must follow when adopting rules known as the Administrative Procedures Act (APA).	Title 246 WAC holds all Department of Health and State Board of Health rules and must comply with the APA.

WAC Numbering System

Example from the Pharmacy Quality Assurance Commission



- **Title:** Each agency gets their own title number from the code reviser
 - Department of Health and State Board of Health → Title 246 WAC
- **Chapter:** Identifies subject matters regulated under agency's statutes
 - Pharmacy Quality Assurance Commission → Chapter 246-945 WAC
- **Section:** Each section is considered an individual rule
 - "Nonresident pharmacy license" → WAC 246-945-235

What May Generate Rulemaking?

- New or revised legislation
- Board/Commission or Department of Health (DOH) identifies need
- Formal petitions by interested parties under RCW 34.05.330
- Changes in technology or national standards
- Court decision
- Governor's directives



STANDARD RULEMAKING PROCESS

Standard Rule Process*

CR101	CR102	CR103
<ul style="list-style-type: none">• Rulemaking is initiated	<ul style="list-style-type: none">• Begin drafting rule language• Determine potential costs• Public meeting(s)• Rules workshop(s)• Written comment period• Public Hearing (held at least 33 days after the CR102 filing)	<ul style="list-style-type: none">• Rule language finalized• Agency adopts rule (effective 31 days after CR103 filing)

*Standard rulemaking may take 12 to 18 months to complete.



QUESTIONS?

Overview

- In 2021 the Board had commenced a rulemaking package to update the licensing requirements.
- In 2022 we held workshops, gathered public feedback, and starting drafting new rules language based on the comments received.
- In 2023 Second Substitute House Bill 1724 passed. Section 5 of the bill mandated the Department of Health (department) and the Examining Board of Psychology (board) to examine licensure requirements and identify changes that would remove barriers to entering and remaining in the healthcare workforce.
- Section 6 of the bill mandated the board to adopt permanent rules by July 1, 2025 to adopt the changes identified as being a barrier to entering and remaining in the healthcare workforce.

continued...

- In 2024 Engrossed Second Substitute House Bill 2247 passed. This bill established a new credential, the psychological associate license. The bill also gave the board authority to waive requirements for applicants who had continuously held a license in another jurisdiction for a period of time that renders the waived requirements duplicative or unnecessary (board to decide what that period of time would be).

continued...

- Since the board had already commenced updating licensing requirements prior to 1724 and 2247, all rulemaking packages have been merged into one.
- This series of workshops are meant to:
 - Review draft language board has drafted based on comments received in the 2022 feedback sessions from the initial licensing requirements rulemaking package and the 2023 feedback sessions held due to 1724.
 - Gather feedback on what the public would like to see come from this new psychological associate credential.
 - Gather feedback on all other licensing requirements.

Dates and Topics

Date	Time	Topic
June 4, 2024	12:00pm	Review draft Supervised Experience rules
June 5, 2024	5:00pm	Review draft rules on education, examination retakes, residency, and endorsement
June 6, 2024	12:00pm	New Psychological Associate license and waiver for long-time practicing providers
June 11, 2024	12:00pm	COVID-19 Policy Statements on telepsychology and virtual supervision
June 12, 2024	5:00pm	National Examination and any other topics of interest
June 13, 2024	12:00pm	All topics previously discussed - recap
June 18, 2024	12:00pm	Cancelled
June 20, 2024	12:00pm	Tentative

Approximate Timeline

- File a new CR101 – completed May 2024
- Rules workshops – Spring through October 2024
- File CR102 – February 2025
- Public Hearing – March-April 2025
- File CR103 – May 2025
- Rules effective – July 1, 2025

Questions?



To request this document in another format, call 1-800-525-0127. Deaf or hard of hearing customers, please call 711 (Washington Relay) or email doh.information@doh.wa.gov.